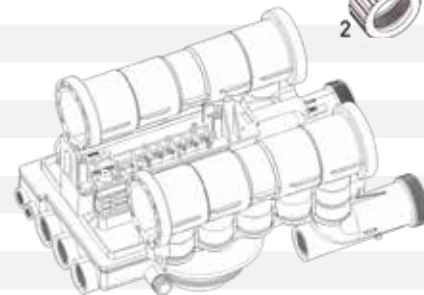
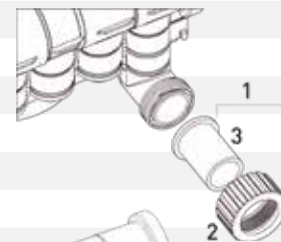
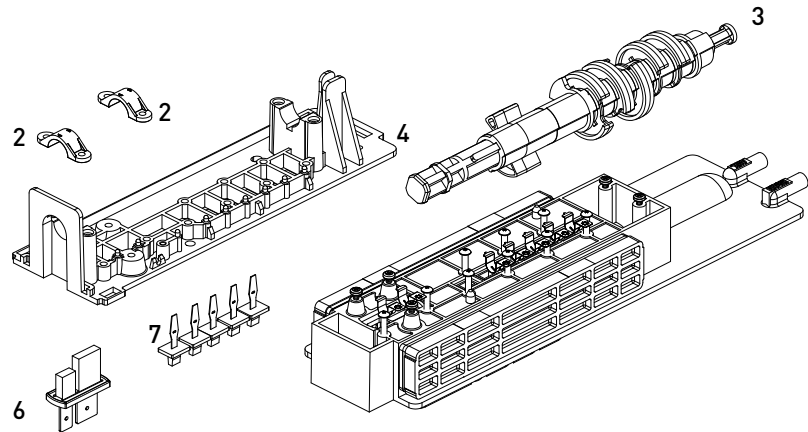


Magnum connections

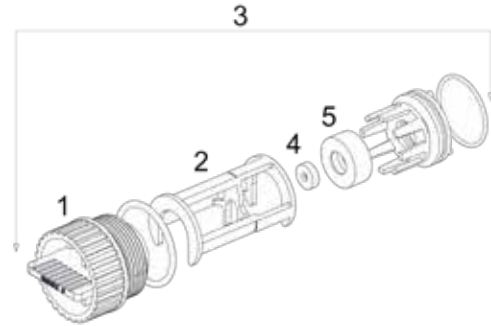
| Item | Old part number | Reference | Description | Packing qty |
|------|-----------------|-----------|--|-------------|
| | | 1001655 | Magnum Cv 1 1/2" - 1 1/2" PVC adapter kit | 1 |
| | 1001655-M | 1001656 | Magnum Cv 1 1/2" - 50 mm PVC adapter kit | 1 |
| | 1040783 | 3023674 | Magnum it / Cv plus 2" - 2" BSP adapter kit | 1 |
| | | 1040784 | Magnum it / Cv plus 2" - 2" PVC adapter kit | 1 |
| | 1040784-63 | 1040785 | Magnum it / Cv plus 2" - 63 mm PVC adapter kit | 1 |
| 2 | | 1000356 | 1 1/2" adapter nut for Magnum Cv | 1 |
| 3 | 1000361 | 3014556 | 1 1/2" stainless steel BSP adapter | 1 |
| 3 | | 1000358 | 1 1/2" PVC adapter | 1 |
| 3 | | 1000359 | 50 mm metric CPVC adapter | 1 |
| * | 3029966 | 1010160 | 1 1/2" adapter O-ring | 1 |
| * | 3029964 | 1010165 | 2" adapter O-ring | 1 |
| * | | 1040921 | Side mount adapter | 1 |
| * | 3029970 | 1010162 | O-ring tank adaptor | 1 |
| | 3029966 | 1010160 | Riser tube O-ring | 1 |
| | | CH20805 | Magnum tank adapter, noryl 6" flanged kit | 1 |





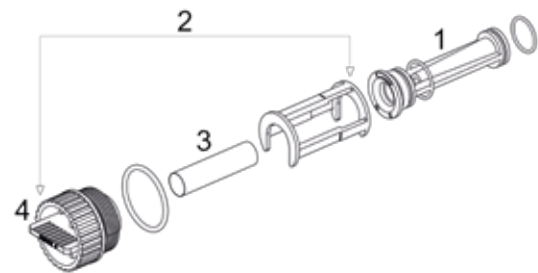
Magnum Logix camshaft & pilot

| Item | Old part number | Reference | Description | Packing qty |
|------|-----------------|-----------|---|-------------|
| 3 | | 1267726 | Camshaft Logix Magnum single tank | 1 |
| * | | 1000341 | Shaft, cam, Magnum | 1 |
| 2 | | 1000589 | Pillow block cap | 2 |
| 4 | | 1000339 | Top plate | 1 |
| * | 3030505 | 3018941 | Pillow block & top plate screw (long) | 19 |
| 6 | | 1000391 | Brine flapper valve | 1 |
| 7 | | 1000328 | Pilot flapper valve | 6 |
| * | | 1001580 | Valve flapper spring | 14 |
| * | | 1040692 | Kit flapper includes item 6, 7 and springs | 1 |
| * | | 1000343 | Cam cover (not shown) | 1 |
| * | | 1000553 | Cam pilot auxiliary Twin (shuts off at end of refill) | 1 |
| * | | 1000554 | Cam pilot auxiliary single (shuts off at begin of refill) | 1 |
| * | | 1041064 | Breakaway cam kit for auxiliary output | 1 |



Magnum refill control assy

| Item | Old part number | Reference | Description | Packing qty |
|------|-----------------|-----------|--|-------------|
| 1 | | 1040688 | Flow control plug | 1 |
| 3 | | 1040687 | Refill control assy | 1 |
| 4 | | 1000421 | Refill flow control for 14" tank - 0.7 gpm | 1 |
| | | 1000422 | Refill flow control for 16" tank - 0.8 gpm | 1 |
| | | 1000423 | Refill flow control for 18" tank - 1.0 gpm | 1 |
| | | 1000424 | Refill flow control for 21" tank - 1.4 gpm | 1 |
| | | 1000425 | Refill flow control for 24" tank - 2.0 gpm | 1 |
| | | 1000426 | Refill flow control for 30" tank - 3.0 gpm | 1 |
| | | 1000427 | Refill flow control for 36" tank - 5.0 gpm | 1 |
| 5 | | 1000479 | Refill flow control cage | 1 |

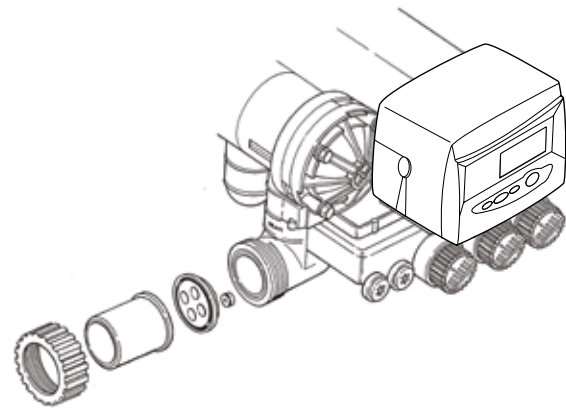


Magnum injector assy

| Item | Old part number | Reference | Description | Packing qty |
|------|-----------------|-----------|--|-------------|
| 1 | | | Injectors with O-rings: | |
| | | 1040670 | Injector for 14" tank - 0.5 gpm | 1 |
| | | 1040671 | Injector for 16" (40.6 cm) tank - 0.5 gpm | 1 |
| | | 1040672 | Injector for 18" (45.7 cm) tank - 0.6 gpm | 1 |
| | | 1040673 | Injector for 21" (53.3 cm) tank - 0.9 gpm | 1 |
| | | 1040674 | Injector for 24" (61.0 cm) tank - 1.4 gpm | 1 |
| | | 1040675 | Injector for 30" (76.2 cm) tank - 2.0 gpm | 1 |
| | | 1040676 | Injector for 36" (91.4 cm) tank - 3.3 gpm | 1 |
| | | 1040669 | Blank injector | 1 |
| 2 | | 1040677 | Injector assy (less injector) | 1 |
| 3 | | 1000322 | Injector screen | 1 |
| 4 | | 1040688 | Plug for injector, refill & pressure regulator ports (including O-rings) | 1 |

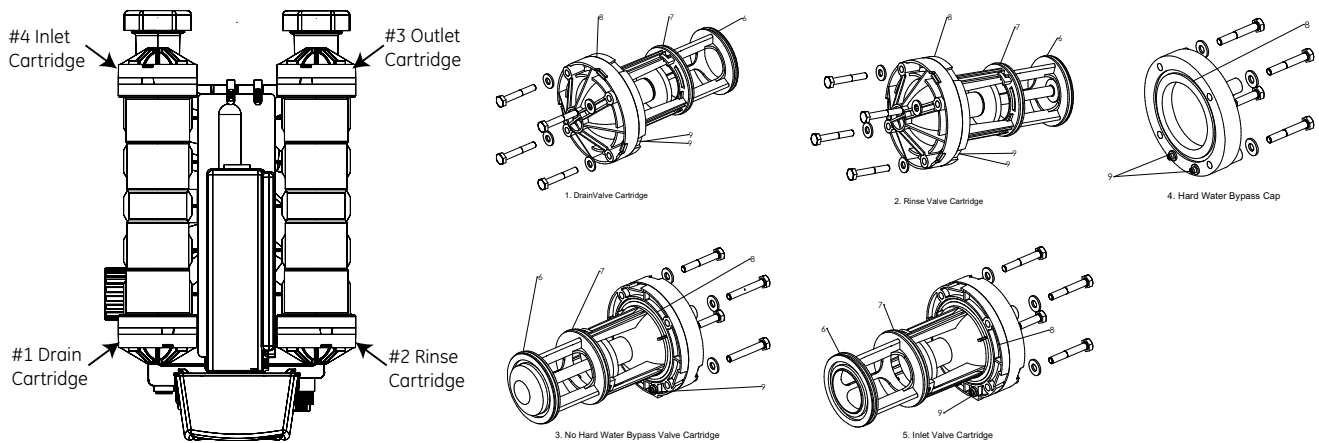
Magnum drain line flow controls assy

| Item | Old part number | Reference | Description | Packing qty |
|---|-----------------|-----------|--|-------------|
| Assembled DLFCs w/ O-ring and FI. ctrls inserts: | | | | |
| | | 1040720 | DLFC 5 gpm (for 14" softener) BLU-BLK-BLK-BLK | 1 |
| | | 1040721 | DLFC 6 gpm (for 16" softener) RED-BLK-BLK-BLK | 1 |
| | | 1040722 | DLFC 7 gpm BRN-BLK-BLK-BLK | 1 |
| | | 1040723 | DLFC 8 gpm (for 18" softener) GRN-BLK-BLK-BLK | 1 |
| | | 1040724 | DLFC 9 gpm WHI-BLK-BLK-BLK | 1 |
| | | 1040725 | DLFC 10 gpm (for 21" softener) BLU-BLU-BLK-BLK | 1 |
| | | 1040726 | DLFC 11 gpm RED-BLU-BLK-BLK | 1 |
| | | 1040727 | DLFC 12 gpm RED-RED-BLK-BLK | 1 |
| | | 1040728 | DLFC 13 gpm BRN-RED-BLK-BLK | 1 |
| | | 1040729 | DLFC 14 gpm (for 24" softener) BRN-BRN-BLK-BLK | 1 |



Magnum drain line flow controls assy

| Item | Old part number | Reference | Description | Packing qty |
|------|-----------------|-----------|---|-------------|
| | | 1040740 | DLFC 15 gpm BLU-BLU-BLU-BLK | 1 |
| | | 1040741 | DLFC 16 gpm GRN-GRN-BLK-BLK | 1 |
| | | 1040742 | DLFC 17 gpm WHI-GRN-BLK-BLK | 1 |
| | | 1040743 | DLFC 18 gpm WHI-WHI-BLK-BLK | 1 |
| | | 1040744 | DLFC 19 gpm WHI-ORA-BLK-BLK | 1 |
| | | 1040745 | DLFC 20 gpm (for 30" softener) BLU-BLU-BLU-BLU | 1 |
| | | 1040746 | DLFC 21 gpm BRN-BRN-BRN-BLK | 1 |
| | | 1040747 | DLFC 22 gpm GRN-GRN-RED-BLK | 1 |
| | | 1040748 | DLFC 23 gpm GRN-GRN-BRN-BLK | 1 |
| | | 1040749 | DLFC 24 gpm RED-RED-RED-RED | 1 |
| | | 1040730 | DLFC 25 gpm GRN-GRN-WHI-BLK | 1 |
| | | 1040731 | DLFC 26 gpm WHI-WHI-GRN-BLK | 1 |
| | | 1040732 | DLFC 27 gpm WHI-WHI-GRN-BLK | 1 |
| | | 1040733 | DLFC 28 gpm BRN-BRN-BRN-BRN | 1 |
| | | 1040734 | DLFC 29 gpm BRN-BRN-BRN-GRN | 1 |
| | | 1040735 | DLFC 30 gpm (for 36" softener) ORA-ORA-ORAN-BLK | 1 |
| | | 1040736 | DLFC 31 gpm GRN-GRN-GRN-BRN | 1 |
| | | 1040737 | DLFC 32 gpm GRN-GRN-GRN-GRN | 1 |
| | | 1040738 | DLFC 33 gpm GRN-GRN-GRN-WHI | 1 |
| | | 1040739 | DLFC 34 gpm GRN-GRN-GRN-ORA | 1 |
| | | 1040750 | DLFC 35 gpm WHI-GRN-GRN-GRN | 1 |
| | | 1040751 | DLFC 36 gpm WHI-WHI-WHI-WHI | 1 |
| | | 1040752 | DLFC 37 gpm WHI-WHI-WHI-ORA | 1 |
| | | 1040753 | DLFC 38 gpm ORA-ORA-ORA-GRN | 1 |
| | | 1040754 | DLFC 39 gpm ORA-ORA-ORA-WHI | 1 |
| | | 1040755 | DLFC 40 gpm ORA-ORA-ORA-ORA | 1 |
| * | | 1040762 | 12x DLFC disc w/out FI. Ctrl inserts | 1 |
| * | | 1040763 | 25x FI Ctl Insert, BLK, 0 gpm | 1 |
| * | | 1040756 | 25x FI Ctl Insert, BLU, 5 gpm | 1 |
| * | | 1040757 | 25x FI Ctl Insert, RED, 6 gpm | 1 |
| * | | 1040758 | 25x FI Ctl Insert, BRN, 7 gpm | 1 |
| * | | 1040759 | 25x FI Ctl Insert, GRN, 8 gpm | 1 |
| * | | 1040760 | 25x FI Ctl Insert, WHI, 9 gpm | 1 |
| * | | 1040761 | 25x FI Ctl Insert, ORA, 10 gpm | 1 |
| * | 3029966 | 1010160 | O-ring, DLFC | 1 |



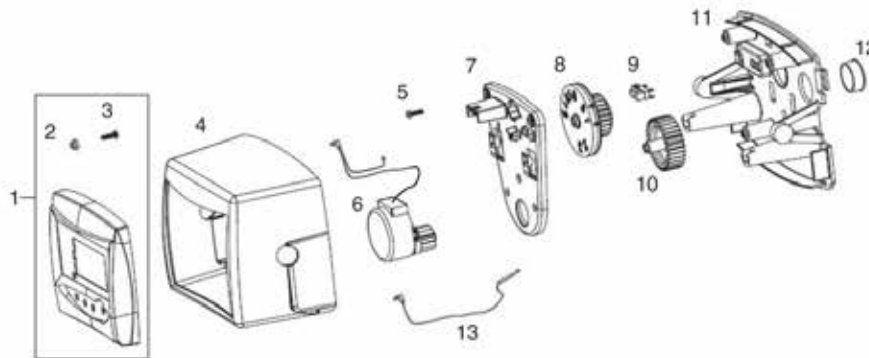
Magnum cartridges

| Item | Old part number | Reference | Description | Packing qty |
|------|-----------------|-----------|--|-------------|
| 1 | | 1000366 | Drain valve/no hard water bypass valve cartridge | 1 |
| 2 | | 1000365 | Rinse valve cartridge | 1 |
| 3 | | 1000366 | Drain valve/no hard water bypass valve cartridge | 1 |
| 4 | | 1000336 | Hard water bypass cap | 1 |
| 5 | | 1000317 | Inlet valve cartridge | 1 |
| 6 | 3029971 | 1010157 | O-ring #147 EPDM | 1 |
| 7 | 3029972 | 1010158 | O-ring #149 EPDM | 1 |
| 8 | 3030497 | 1231646 | O-ring | 1 |
| 9 | 3030531 | 1010116 | O-ring #107 EPDM | 2 |
| * | | 1040690 | O-ring kit (includes 1x #8, 2x #9) | 1 |
| * | | 1040689 | O-ring kit (includes 1x#6, 1x#7, 1x#8, 2x#9) | 1 |

Note: Items 1 & 3 are identical

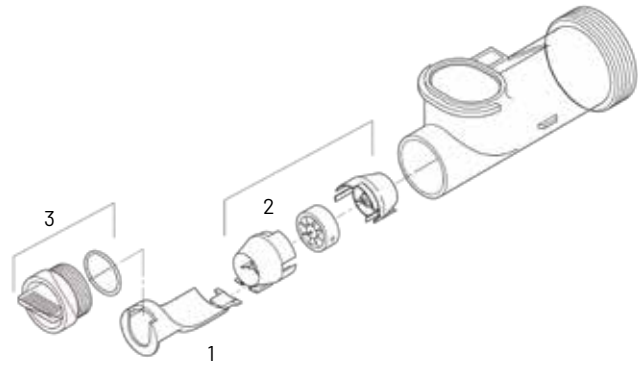
Magnum Logix controls

| Item | Old part number | Reference | Description | Packing qty |
|------|-----------------|-----------|---|-------------|
| 1 | | 1265832 | Timer Logix 742F Magnum | 1 |
| | | 1265833 | Timer Logix 762F Magnum | 1 |
| | | 1265834 | Timer Logix 742 Magnum | 1 |
| | | 1265835 | Timer Logix 762 Magnum | 1 |
| 2 | 3030921 | 1266224 | Bushing, Logix mount | 2 |
| 3 | 3030001 | 1005981 | Screw | 2 |
| 4 | | 1262674 | Cover, Logix Magnum | 1 |
| 5 | 3030001 | 1005981 | Screw | 2 |
| 6 | | 1238861 | Motor + cable 700 series controller, 12V 50/60 Hz | 1 |
| 7 | | 1262673 | Gear plate, Magnum Logix control | 1 |
| 8 | | 1262581 | Drive gear, Magnum Logix control | 1 |
| 9 | | 1235373 | Module, sensor, photo interrupter | 1 |
| 10 | | 1262672 | Idle gear, Magnum Logix control | 1 |
| 11 | | 1262580 | Back plate, Logix Magnum control | 1 |
| 12 | | 1239647 | Bushing, cable | 1 |
| 13 | | 1266722 | Turbine cable, Logix, 32" (Magnum it Logix) | 1 |



Magnum Logix controls

| Item | Old part number | Reference | Description | Packing qty |
|-----------|-----------------|-----------|---|-------------|
| | | 1266723 | Turbine cable, Logix, 10ft (Magnum Cv Logix) | 1 |
| | | 1266724 | Turbine cable, Logix, 25ft | 1 |
| 5+6+7+8+9 | | 1233809 | Logix Magnum control mech assy (items 5,6,7,8,9,10,12) | 1 |
| * | | 1000813 | Wall mount transformer 220V/12V UK | 1 |
| * | | 1000814 | Wall mount transformer 220V/12V EUR | 1 |
| * | | 1263718 | Remote mount kit, with 10 ft cable (control not included) | 1 |
| | | 1256257 | Remote mount kit, no cable (control not included) | 1 |



Magnum IT turbine

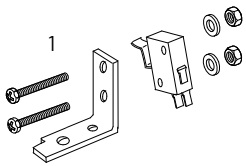
| Item | Old part number | Reference | Description | Packing qty |
|------|-----------------|-----------|--|-------------|
| 1 | | 1000074 | Insert, corner 2" | 1 |
| 2 | | 1232965 | Assy, turbine 2" elbow | 1 |
| 3 | | 1040688 | Assy, plug | 1 |
| * | | 1266722 | Cable and turbine sensor, Logix Magnum it, 32" | 1 |

2" External turbine assy

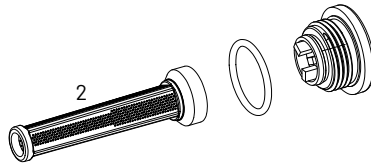
| Item | Old part number | Reference | Description | Packing qty |
|------|-----------------|-----------|--|-------------|
| * | | 1033358 | 2" turbine only | 1 |
| * | 1034079 | 3023537 | 2" turbine assy with 2" stainless steel BSP adapters | 1 |
| * | | 1034080 | 2" turbine assy with 2" PVC adapters | 1 |
| * | | 1034081 | 2" turbine assy with 63 mm PVC adapters | 1 |
| * | | 1030891 | Gasket, 2" | 2 |
| * | | 1266723 | Cable and turbine sensor, Logix Magnum Cv, 10ft | 1 |
| * | | 1266724 | Cable and turbine sensor, Logix Magnum Cv, 25ft | 1 |

1" external turbine assy

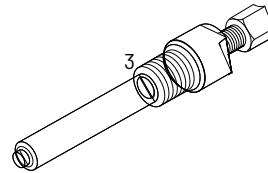
| Item | Old part number | Reference | Description | Packing qty |
|------|-----------------|-----------|---|-------------|
| * | | 1033317 | 1" turbine only | 1 |
| * | | 1033238 | 1" turbine assy with 1" PVC adapters | 1 |
| * | | 1033239 | 1" turbine assy with 32 mm PVC adapters | 1 |
| * | | 1034385 | 1" adapter nut for 1" turbine and perf. | 2 |
| * | 54F | 1030541 | Gasket for 1 in pipe or tube | 2 |
| * | | 1266723 | Cable and turbine sensor, Logix Magnum Cv, 10ft | 1 |
| * | | 1266724 | Cable and turbine sensor, Logix Magnum Cv, 25ft | 1 |



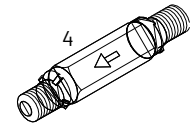
Switch Kit



Pilot Filter Screen Assembly



External Pilot Feed Adapter



Pilot System Check Valves

Magnum miscellaneous

| Item | Old part number | Reference | Description | Packing qty |
|------|-----------------|-----------|--|-------------|
| 1 | 1041049 | 3019468 | Kit 1 switch 0.1 Amp (also used on 962M & 962S controls) | 1 |
| * | 1041063 | 3019469 | Kit 1 switch 5 Amp | 1 |
| * | 1041048 | 3019467 | Kit 3 switch 5 Amp | 1 |
| * | 1041039 | 3019466 | Kit 3 switch 0.1 Amp | 1 |
| * | | 1239979 | Cable harness for remote regeneration on 74XF/switch connector | 1 |
| 2 | | 1000226 | Pilot screen assy (includes pilot screen, pilot screen cap & O-ring) | 1 |
| 3 | | 1040668 | External pilot feed adapter (separate source pilot water) | 1 |
| 4 | | 1009817 | Pilot system check valve (to be used w/ item 3) | 1 |
| * | | 3019522 | Kit switch 0.1 Amp | 1 |
| * | | 3019523 | Kit switch 0.5 Amp | 1 |
| * | | 3025780 | Internal pilot system check valve | 1 |