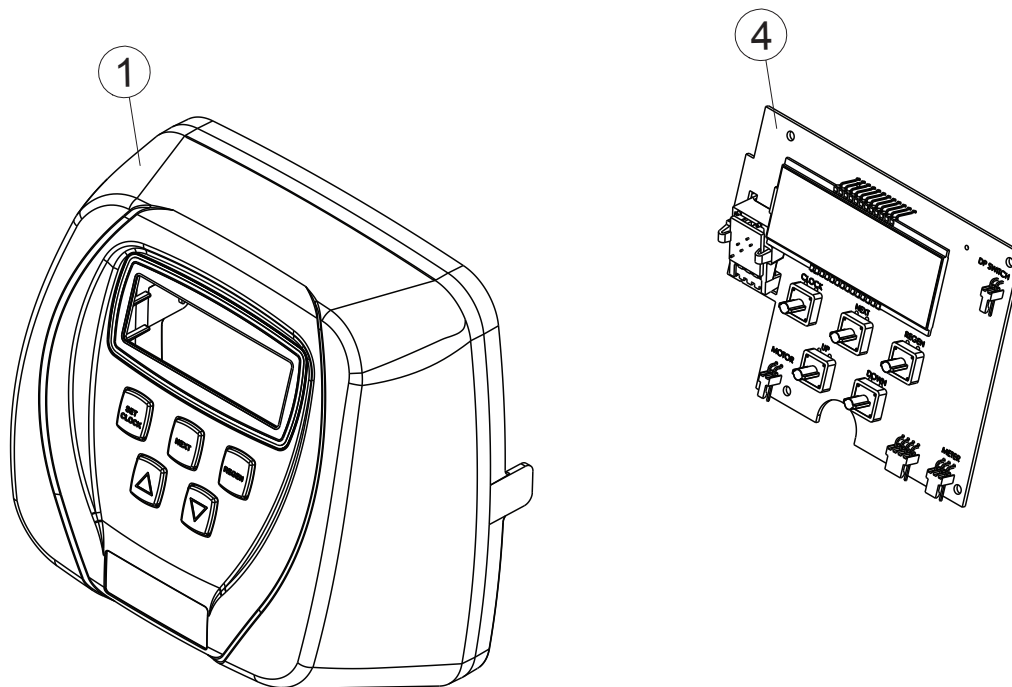


CLACK 2" VALVE

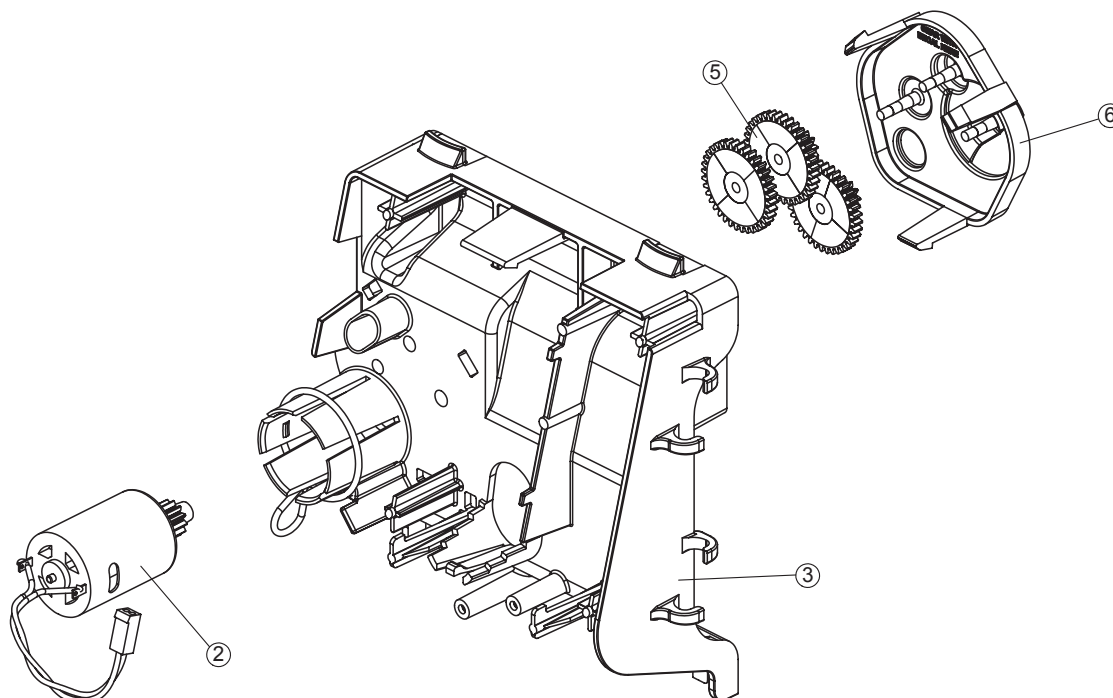
CI CONTROL FRONT COVER & SOFTWARE



N°	Reference	Clack Code	Description	Qty
1	5303028712	V3175CI-01	WS1CI Front Cover Asy Black	1
4	5303025070	V3108CI-BOARD	WS1CI PC Board Replacement	1

CLACK 2" VALVE

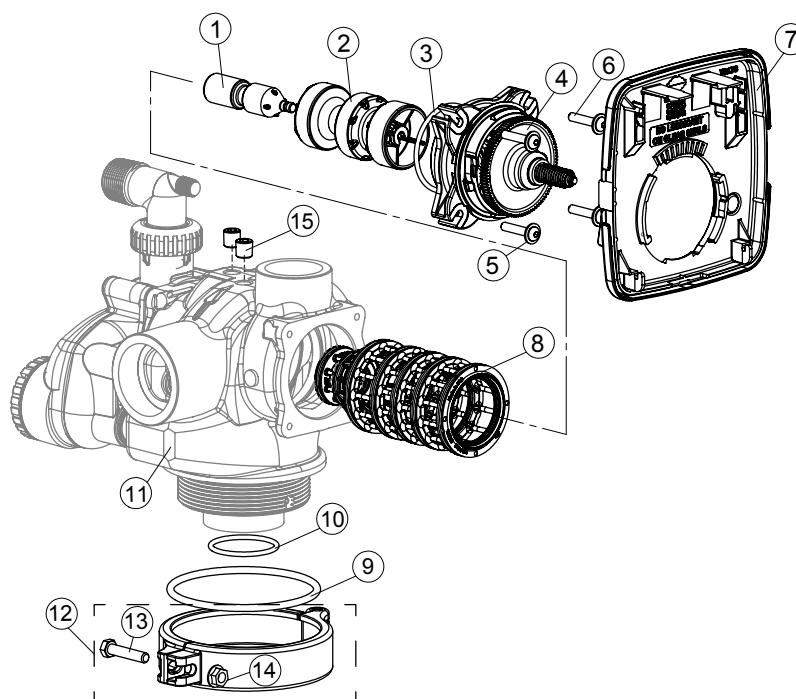
DRIVE ASSEMBLY



N°	Reference	Clack Code	Description	Qty
2	5303025068	V3107-01	Motor 12V	1
3	5303025067	V3106-01	Drive Bracket & Spring Clip	1
5	5303025074	V3110	Drive Gear 12x36	3
6	5303025073	V3109	Drive Gear Cover	1

CLACK 2" VALVE

2" QC DRIVE CAP ASSEMBLY, PISTON & STACK ASSY



N°	Reference	Clack Code	Description	Qty
1	5303021704	V3726	WS2 Brine Piston Assembly	1
2	5303021703	V3725	WS2 Piston Downflow Assembly	1
3	5303020013	V3452	O-Ring 230	1
4	5303021706	V3728	WS2 Drive Cap Assembly	1
5	5303021702	V3724	Washer Flat SS 1/4	4
6	5303020014	V3642	Bolt BHCS SS 1/4-20 x 1.25	4
7	5303025110	V3178	Back Plate	1
8	5303021707	V3729	WS2 Stack Assembly	1
9	5303021031	V3419	O-Ring 347	1
10	5303020013	V3452	O-Ring 230	1
11	5303020018	V3737B-SPT-01	WS2 QC Body BSPT	1
12	5303021079	V3054	WS2 4" Base Clamp Assembly	1
13	5303021207	V3276	WS2 Bolt Hex SS 5/16-18	1
14	5303021201	V3269	WS2 Nut 5/16-18 SS Hex	1
15	5303020012	V3465	WS2H/3 Plug 1/4" Hex BSPT	2